

PLEASE CHECK WWW.MOLEX.COM FOR LATEST PART INFORMATION

Part Number: [0761015001](#)
Status: **Active**
Overview: [sfp_stacked_multiport_connectors](#)
Description: Small Form-factor Pluggable Plus (SFP+) Stacked 2-by-2 Multi-Port Press Fit Connector without Lightpipe Ports, Elastomeric Gasket, 80 Circuits, Tin (Sn) Tails

Documents:

3D Model	Test Summary (PDF)
Application Specification (PDF)	Product Specification PS-75310-001 (PDF)
Drawing (PDF)	RoHS Certificate of Compliance (PDF)

Agency Certification

CSA	LR19980
UL	E29179

General

Product Family	I/O Connectors
Series	76101
Application	Module-to-Board
Component Type	Receptacle
Overview	sfp_stacked_multiport_connectors
Product Name	SFP Plus
Type	N/A

Physical

Boot Color	N/A
Circuits (Loaded)	80
Circuits (maximum)	80
Circuits Detail	80
Durability (mating cycles max)	100
Flammability	94V-0
Gender	Female
Keying to Mating Part	None
Lock to Mating Part	Yes
Material - Plating Mating	Gold
Number of Rows	2
Orientation	Right Angle
PC Tail Length (in)	0.081 In
PC Tail Length (mm)	2.07 mm
PCB Locator	Yes
PCB Retention	Yes
PCB Thickness Recommended (in)	0.062 In
PCB Thickness Recommended (mm)	1.57 mm
Packaging Type	Tray
Panel Mount	No
Pitch - Mating Interface (in)	0.031 In
Pitch - Mating Interface (mm)	0.80 mm
Pitch - Term. Interface (in)	0.031 In
Pitch - Term. Interface (mm)	0.80 mm
Polarized to Mating Part	Yes
Polarized to PCB	Yes
Ports	4
Surface Mount Compatible (SMC)	Yes
Temperature Range - Operating	-40°C to +85°C
Termination Interface: Style	Through Hole - Compliant Pin
Waterproof / Dustproof	No

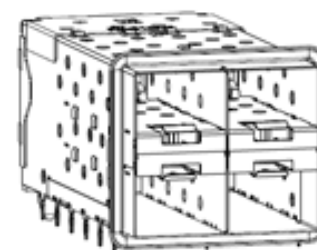


image - Reference only

Series

EU RoHS

ELV and RoHS Compliant
REACH SVHC
 Not Reviewed
Halogen-Free Status
 Not Reviewed

China RoHS



Need more information on product environmental compliance?

Email productcompliance@molex.com
 For a multiple part number RoHS Certificate of Compliance, [click here](#)

Please visit the [Contact Us](#) section for any non-product compliance questions.

Search Parts in this Series

[76101Series](#)

Use With

[0759510999 SFP Dust Plug,](#)

Application Tooling | FAQ

Tooling specifications and manuals are found by selecting the products below. Crimp Height Specifications are then contained in the Application Tooling Specification document.

Global

Description	Product #
SFP Stacked Multi-Port Insertion Tool, 2 by 2	0622029970
SFP Stacked Multi-Port Extraction Tool, 2 by 2	0622029975

Electrical

Current - Maximum per Contact	0.5A
Grounding to Panel	None
Shield Type	EMI Gasket
Shielded	Yes
Voltage - Maximum	120V AC (RMS)/DC

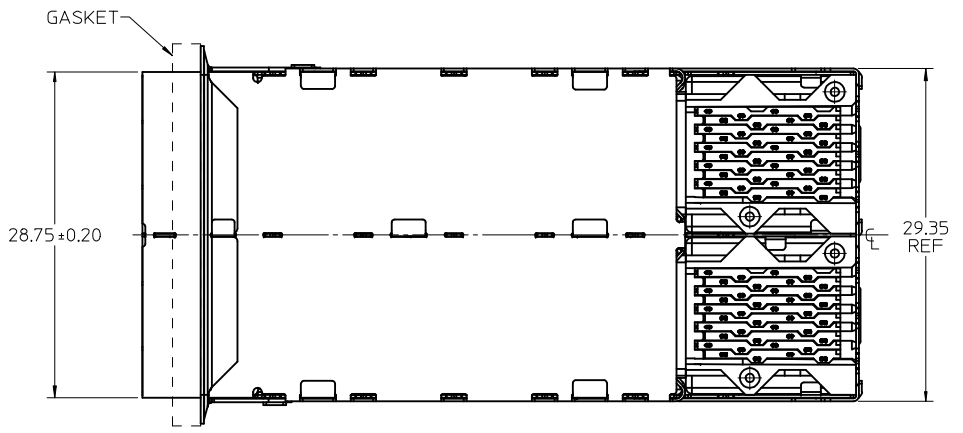
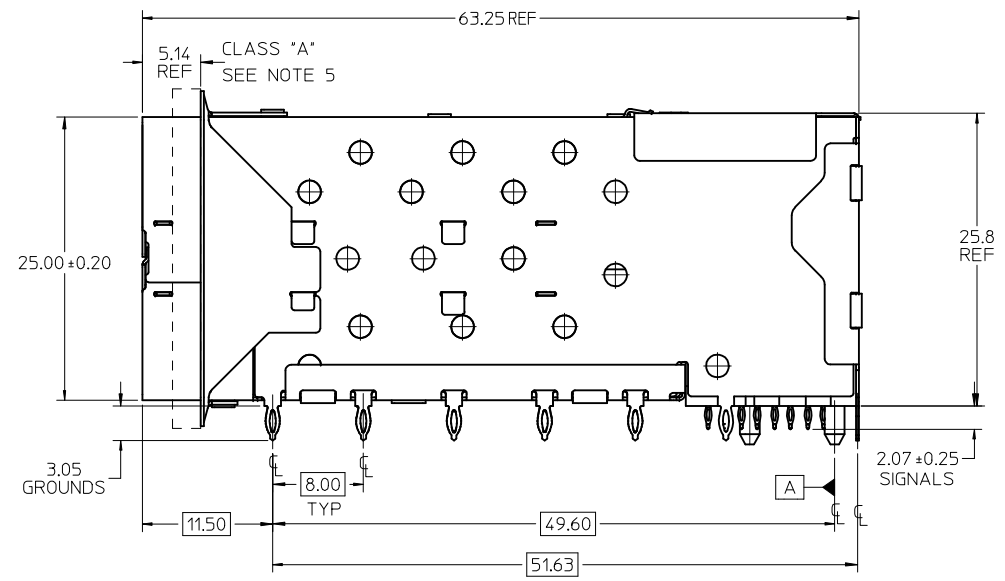
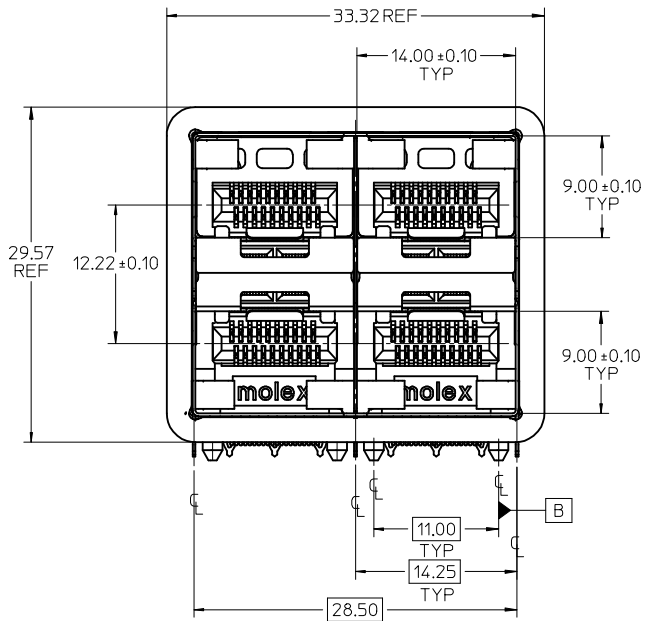
Material Info**Reference - Drawing Numbers**

Application Specification	AS-75310-001
Packaging Specification	PK-75714-001
Product Specification	PS-75310-001
Sales Drawing	SD-76101-001

This document was generated on 05/27/2010

PLEASE CHECK WWW.MOLEX.COM FOR LATEST PART INFORMATION

PART NUMBER	COMPLIANT TAIL PLATING
761010001	TIN / LEAD
761015001	TIN



NOTES

1. MATERIAL:

CAGE: NICKEL SILVER, THICKNESS: 0.25mm
 EMI GASKET: CONDUCTIVE ELASTOMER
 CONNECTOR HOUSING: GLASS FILLED HIGH TEMP PLASTIC, 94 V-0
 COLOR BLACK
 OVERMOLDED TERMINALS HOUSING: GLASS FILLED HIGH TEMP PLASTIC,
 94 V-0, COLOR: BLACK
 TERMINALS: TIN BRASS

2. FINISH:

TERMINAL: CONTACT AREA: 0.76 MICRONS MIN, HARD GOLD OVER
 1.27 MICRONS MIN. NICKEL.
 COMPLIANT TAIL - TIN/LEAD OPTION: 0.76 - 1.52 MICRONS 90/10 TIN/LEAD
 OVER 0.76 - 1.52 MICRONS NICKEL
 COMPLIANT TAIL - TIN OPTION: 0.76 - 1.52 MICRONS TIN
 OVER 0.76 - 1.52 MICRONS NICKEL
 EMI GASKET: SILVER

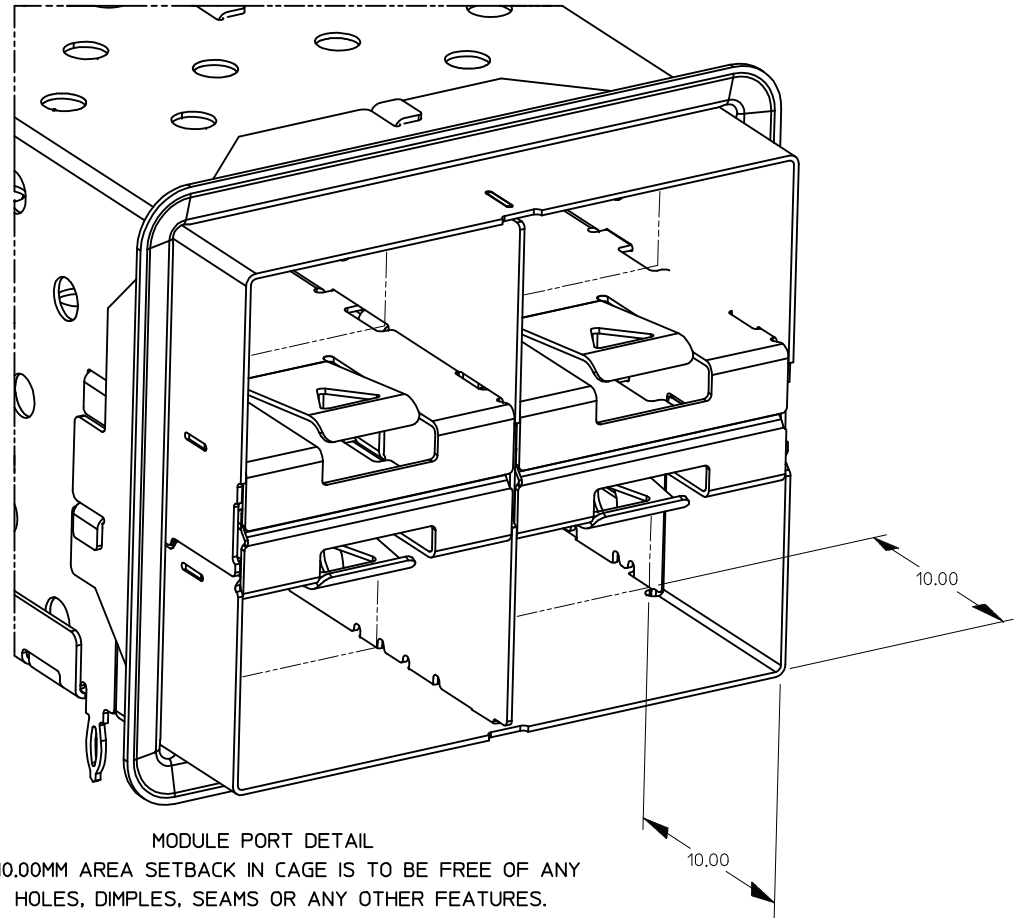
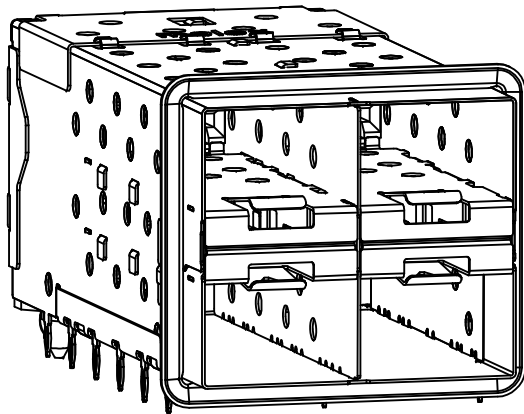
3. REFER TO PS-75310-001 PRODUCT SPEC FOR ALL ELECTRICAL, MECHANICAL,
 AND ENVIRONMENTAL SPECIFICATIONS.

4. REFER TO PK-75714-001 FOR ALL PACKAGING SPECIFICATIONS.

5. ALL EXTERIOR SURFACES TO BE CLASS "B" SURFACE EXCEPT THE UNDER
 SIDE OF THE CAGE WHERE THE PCB WOULD BE LOCATED AND AS NOTED.
 THE SURFACES TO CONFORM TO THE MOLEX COSMETIC DOC PS-45499-002.

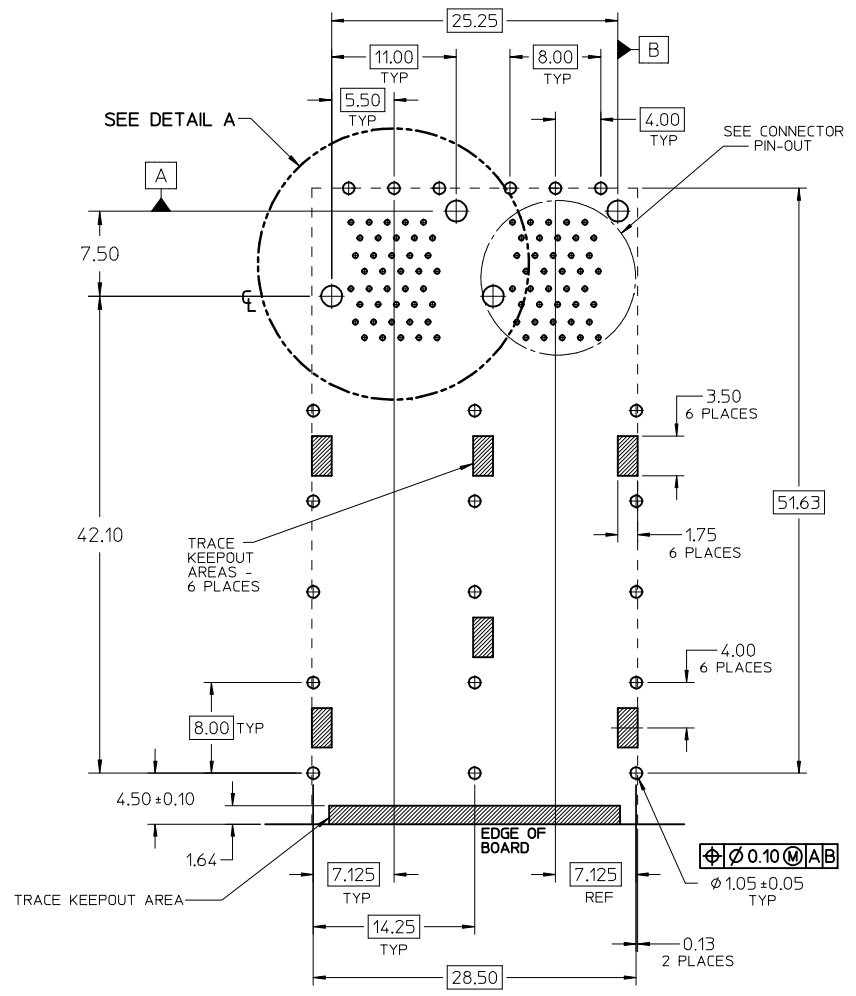
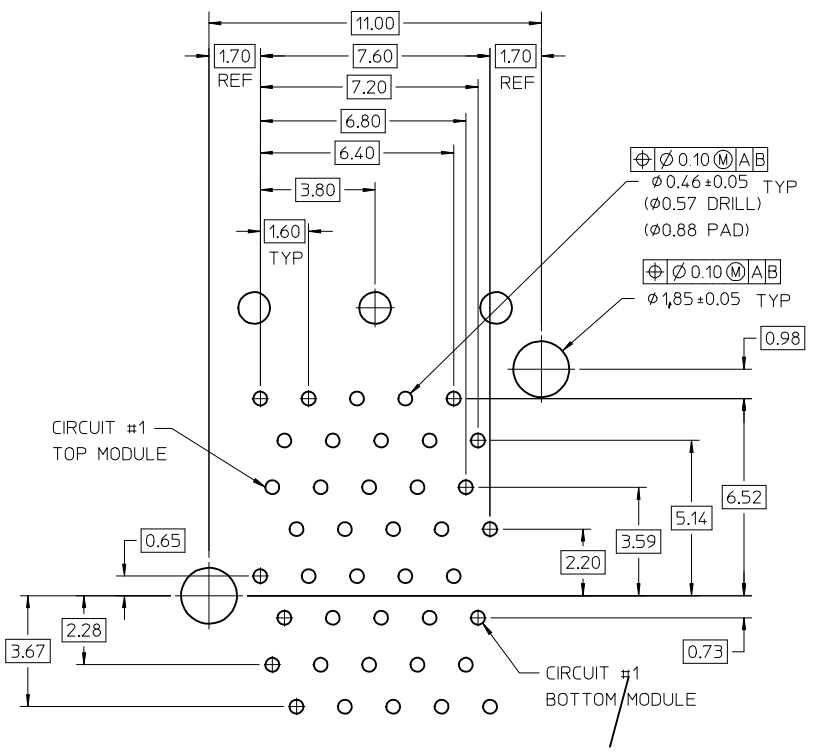
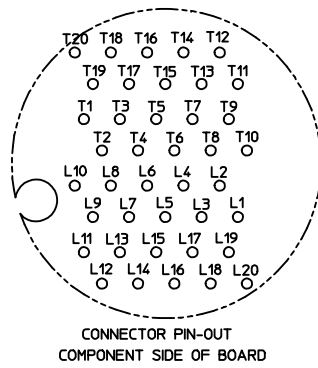
ADD KEEP-OUT ZONES EC NO: UCP2009-1356 DRWN:MSI BARRA 2009/08/04 CHKD:BBARKER 2009/08/06 APPR:SMILLER 2009/08/06	QUALITY SYMBOLS ▽=0 ▽=0	GENERAL TOLERANCES (UNLESS SPECIFIED)		DIMENSION STYLE MM ONLY	SCALE 3:1	DESIGN UNITS METRIC	THIRD ANGLE PROJECTION		
		4 PLACES ± --- ± --- 3 PLACES ± --- ± --- 2 PLACES ± 0.13 ± --- 1 PLACE ± 0.25 ± ---	mm INCH	DRAWN BY DATE JJAANTELEZ10 01-18-2007	CHECKED BY DATE MSANDBERG 01-18-2007	TITLE STACKED SFP+ 2X2 ASS'Y WITH ELASTOMERIC GASKET			
		ANGULAR ± 5 °		APPROVED BY DATE RNELSON 01-18-2007	MOLEX INCORPORATED				
		DRAFT WHERE APPLICABLE MUST REMAIN WITHIN DIMENSIONS		MATERIAL NO. SEE CHART	DOCUMENT NO. SD-76101-001	SHEET NO. 1 OF 4			

THIS DRAWING CONTAINS INFORMATION THAT IS PROPRIETARY TO MOLEX INCORPORATED AND SHOULD NOT BE USED WITHOUT WRITTEN PERMISSION



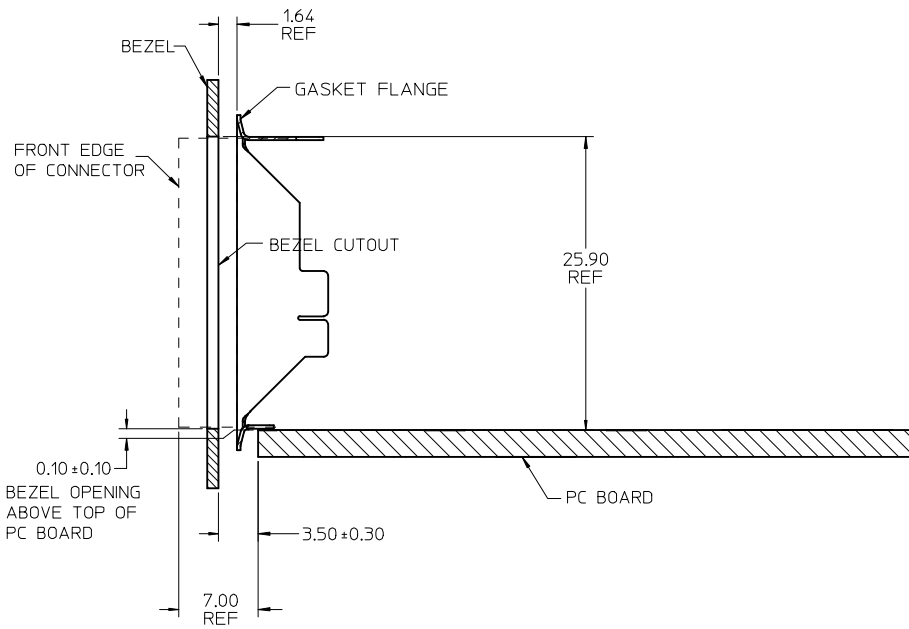
MODULE PORT DETAIL
 10.00MM AREA SETBACK IN CAGE IS TO BE FREE OF ANY HOLES, DIMPLES, SEAMS OR ANY OTHER FEATURES.
 (4 SIDES PER MODULE PORT)

SEE SHEET 1 EC NO: UCP2009-1356 DRWN:MSI BARRA 2009/08/04 CHKD:BBARKER 2009/08/06 APPR:SMILLER 2009/08/06	QUALITY SYMBOLS ▽=0 ▽=0	GENERAL TOLERANCES (UNLESS SPECIFIED) <table border="1"> <thead> <tr> <th></th> <th>mm</th> <th>INCH</th> </tr> </thead> <tbody> <tr> <td>4 PLACES ±</td> <td>---</td> <td>± ---</td> </tr> <tr> <td>3 PLACES ±</td> <td>---</td> <td>± ---</td> </tr> <tr> <td>2 PLACES ±</td> <td>0.13</td> <td>± ---</td> </tr> <tr> <td>1 PLACE ±</td> <td>0.25</td> <td>± ---</td> </tr> </tbody> </table>		mm	INCH	4 PLACES ±	---	± ---	3 PLACES ±	---	± ---	2 PLACES ±	0.13	± ---	1 PLACE ±	0.25	± ---	DIMENSION STYLE MM ONLY	SCALE 3:1	DESIGN UNITS METRIC	THIRD ANGLE PROJECTION
		mm	INCH																		
	4 PLACES ±	---	± ---																		
	3 PLACES ±	---	± ---																		
2 PLACES ±	0.13	± ---																			
1 PLACE ±	0.25	± ---																			
DRAWN BY JJANTELEZIO	DATE 01-18-2007	CHECKED BY MSANDBERG	DATE 01-18-2007	TITLE STACKED SFP+ 2X2 ASS'Y WITH ELASTOMERIC GASKET																	
APPROVED BY RNELSON	DATE 01-18-2007	MATERIAL NO. SEE CHART			DOCUMENT NO. SD-76101-001	SHEET NO. 2 OF 4															
DRAFT WHERE APPLICABLE MUST REMAIN WITHIN DIMENSIONS		THIS DRAWING CONTAINS INFORMATION THAT IS PROPRIETARY TO MOLEX INCORPORATED AND SHOULD NOT BE USED WITHOUT WRITTEN PERMISSION																			

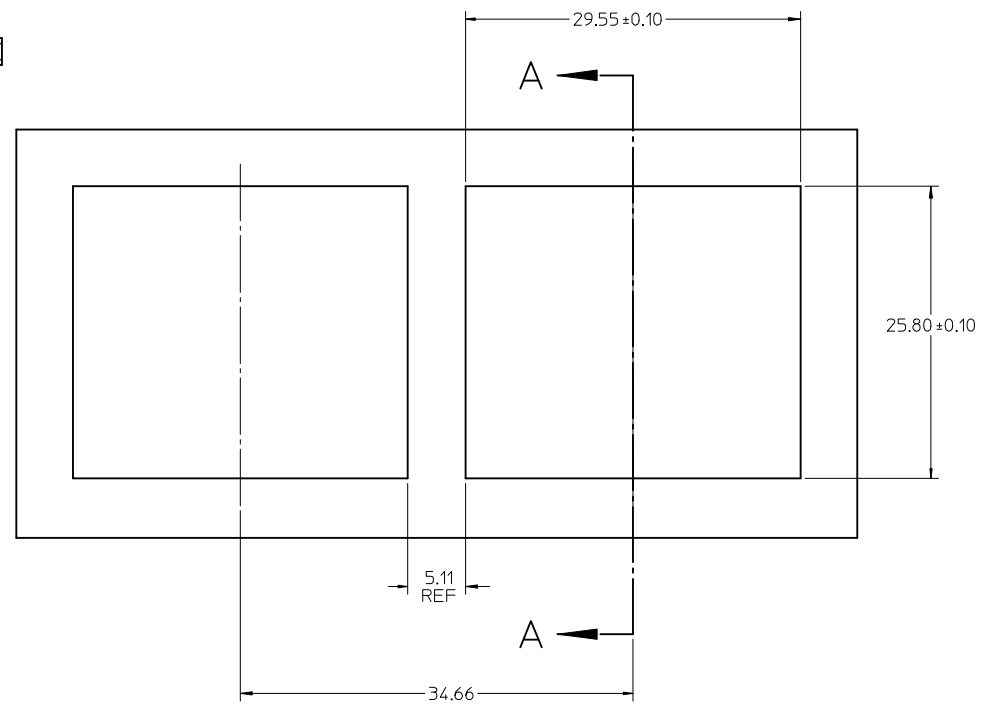


ADD KEEP-OUT ZONES EC NO: UCP2009-1356 DRWN:MSI BARRA 2009/08/04 CHKD:BBARKER 2009/08/06 APPR:SMILLER 2009/08/06	QUALITY SYMBOLS ▽=0 ▽=0	GENERAL TOLERANCES (UNLESS SPECIFIED)		DIMENSION STYLE MM ONLY	SCALE 3:1	DESIGN UNITS METRIC	THIRD ANGLE PROJECTION		
		4 PLACES ± --- ± --- 3 PLACES ± --- ± --- 2 PLACES ± 0.13 ± --- 1 PLACE ± 0.25 ± ---	mm INCH	DRAWN BY DATE JJANTELEZIO 01-18-2007	CHECKED BY DATE MSANDBERG 01-18-2007	STACKED SFP+ 2X2 ASS'Y WITH ELASTOMERIC GASKET			
		ANGULAR ± 5 °		APPROVED BY DATE RNELSON 01-18-2007	MOLEX INCORPORATED				
		DRAFT WHERE APPLICABLE MUST REMAIN WITHIN DIMENSIONS		MATERIAL NO. SEE CHART	DOCUMENT NO. SD-76101-001	SHEET NO. 3 OF 4			

THIS DRAWING CONTAINS INFORMATION THAT IS PROPRIETARY TO MOLEX INCORPORATED AND SHOULD NOT BE USED WITHOUT WRITTEN PERMISSION



SECTION A-A



BEZEL CUT-OUT CENTER SPACING DETAIL
BEZEL THICKNESS: 0.8 - 2.6

SEE SHEET 1 EC NO: UCP2009-1356 DRAWN BY: DRWINMSI BARRA 2009/08/04 CHECKED BY: CHKD:BBARKER 2009/08/06 APPR: SMILLER 2009/08/06	QUALITY SYMBOLS	GENERAL TOLERANCES (UNLESS SPECIFIED)	DIMENSION STYLE	SCALE	DESIGN UNITS	THIRD ANGLE PROJECTION
	$\nabla=0$ $\nabla=0$	mm INCH	MM ONLY	3:1	METRIC	
		4 PLACES ± --- ± ---	DRAWN BY DATE	TITLE		
		3 PLACES ± --- ± ---	JJANTELEZIO 01-18-2007	STACKED SFP+ 2X2 ASS'Y WITH ELASTOMERIC GASKET		
	2 PLACES ± 0.13 ± ---	CHECKED BY DATE				
	1 PLACE ± 0.25 ± ---	MSANDBERG 01-18-2007				
	ANGULAR ± 5 °	APPROVED BY DATE				
		RNELSON 01-18-2007				
		MATERIAL NO.	MOLEX INCORPORATED		DOCUMENT NO.	SHEET NO.
			SEE CHART		SD-76101-001	4 OF 4
		DRAFT WHERE APPLICABLE MUST REMAIN WITHIN DIMENSIONS	THIS DRAWING CONTAINS INFORMATION THAT IS PROPRIETARY TO MOLEX INCORPORATED AND SHOULD NOT BE USED WITHOUT WRITTEN PERMISSION			